

Product data sheet

Characteristics

8910DPA33V06

Contactor, Definite Purpose, 30A, 3 pole, 20 HP at 575 VAC, 3 phase, 440/480 VAC 50/60 Hz coil, open



Product availability: Stock - Normally stocked in distribution facility

Price*: 96.63 USD



Main

| | |
|---------------------------|----------------------------|
| Product or component type | Definite Purpose Contactor |
| Line Rated Current | 30 A |
| Poles description | 3P |
| Pole contact composition | 3 NO |
| Range of product | DPA |

Complementary

| | |
|--------------------------------|---|
| Maximum Horse Power Rating | 2 Hp 115 V AC, 1 phase 5 Hp 230 V AC, 1 phase 10 Hp 230 V AC, 3 phase 15 Hp 460 V AC, 3 phase 20 Hp 575 V AC, 3 phase |
| Locked rotor rated current | 150 A 460 V AC 120 A 575 V AC 180 A 277 V AC |
| [Ue] rated operational voltage | 600 V AC |
| [Uc] control circuit voltage | 440 V AC 50 Hz 480 V AC 60 Hz |
| Phase | 3 phase |
| Electrical connection | Binder head Quick connect terminals |

Environment

| | |
|------------------------|----------------------|
| Product certifications | UL Recognized CSA |
|------------------------|----------------------|

Ordering and shipping details

| | |
|-----------------------|-----------------------------|
| Category | 21343 - 8910 DPA 3_(30 AMP) |
| Discount Schedule | CP1B |
| GTIN | 00785901849841 |
| Nbr. of units in pkg. | 1 |
| Package weight(Lbs) | 17.44 Oz (494.416 g) |
| Returnability | Yes |
| Country of origin | CN |

Packing Units

| | |
|------------------------------|------------------------|
| Unit Type of Package 1 | PCE |
| Package 1 Height | 2.50 In (6.35 cm) |
| Package 1 width | 3.20 In (8.128 cm) |
| Package 1 Length | 4.20 In (10.668 cm) |
| Unit Type of Package 2 | CAR |
| Number of Units in Package 2 | 8 |
| Package 2 Weight | 8.89 Lb(US) (4.032 kg) |
| Package 2 Height | 7.00 In (17.78 cm) |
| Package 2 width | 5.80 In (14.732 cm) |
| Package 2 Length | 8.70 In (22.098 cm) |

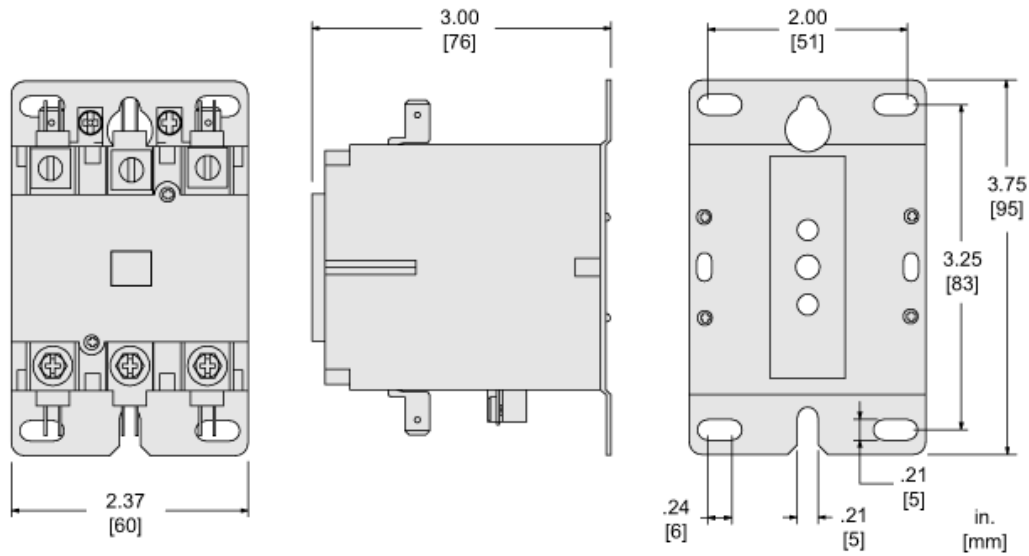
Offer Sustainability

| | |
|----------------------------|---|
| REACH Regulation | REACH Declaration |
| EU RoHS Directive | Compliant EU RoHS Declaration |
| Mercury free | Yes |
| RoHS exemption information | Yes |
| China RoHS Regulation | China RoHS Declaration |

Contractual warranty

| | |
|----------|-----------|
| Warranty | 18 months |
|----------|-----------|

Approximate Dimensions



Product Life Status : **Commercialised**